

INSTALLATION MANUAL

HoriZen® Prime

HoriZen system: fence elements,
posts and mounting accessories.





CONGRATULATIONS ON YOUR PURCHASE OF HORIZEN PRIME.

HoriZen Prime is made from Wood-Plastic Composites (WPC) which is durable and easy to maintain. You also made a good choice for the environment as it contains 98% recycled materials

HoriZen Prime is flexible and offers a wide range of options to create a fence to meets achieve the look you require. The tongue and groove profiles of HoriZen Prime System can be interchanged or replaced by decorative profiles in stainless steel.

In the following pages we present:

- All HoriZen components
- Mounting your fence
- Safety instructions
- Assembly tips and tricks
- Planning your fence line and how to prepare the assembly.

Enjoy planning and assembling your HoriZen Prime System.

Material properties of WPC

WPC consists of natural fibers, synthetic materials and additives in a ratio of approx. 60/35/5 % that lends typical properties to the product. Visual deviations can occur between individual articles or production batches. The surface of normal WPC is not granular and structureless.

Colors : the actual effect of a color depends on the substrate material, the shape, surface structure, e.g. smooth or matt, and the environment. For this reason, we cannot provide any binding information on color values.

Safety instructions, useful information, tools, dimensions	5
HoriZen Prime WPC	7
HoriZen posts & accessories	10
HoriZen decorative profiles	11

We also offer a HoriZen swing gate.
(a separate installation manual is available for the swing gate)



Safety instructions and tips

for transport, storage, and handling of HoriZen components

Please note for all HoriZen construction elements:

- Unassembled panels may become warped if stored incorrectly, i.e. not upright. Avoid point loads, especially with profiles and strips.
- Protect materials from rain, snow, and direct sunlight when stored to avoid excessive temperature fluctuations of the material.
- Do not assemble in frost or high temperatures. The outside temperature and ground temperature should ideally be between +5°C and +25°C. The HoriZen elements must be able to adapt to this temperature prior to assembly.
- The assembly of all HoriZen construction elements must only be carried out with the appropriate and proven HoriZen components from Betafence and as described in the current assembly instructions at the time of assembly.

Working with HoriZen Prime WPC:

- The profiles can be cut with hard metal tools.

Working with ALU :

- Construction elements in aluminium or steel can be shortened with a fine-toothed saw blade for metal or with a hacksaw.
- **TIP:** Do not cut aluminium or steel materials with a grinder! The material may burn and the lacquer flakes off. To prevent corrosion, coat the cut areas with a commercial varnish, and allow to dry before installation.

HoriZen Posts – Accessories and ground attachment.

We differentiate between posts that are directly sunk into concrete and posts that are installed on top of concrete with a floor plate.

Posts Length	Ground attachment
1930 mm	Ground anchor/footplate or into concrete if fence height max 1300mm
2400 mm	sunk into concrete
2980 mm	sunk into concrete

Explanation of the symbols



Drill with the indicated diameter.



Element can be shortened or must be shortened to the indicated size.



Glue construction elements.



Screw tight with the specified torque.



Remove protective film at room temperature before installation.



Article must not be installed upside down.

Tools, preparation and basic construction principles

Measuring, marking and assistance:

- Roller gauge, set square, spirit level, masonry cord, pickets, support slats, measuring slats, tensioning screws, logs, spacer slats.

Concreting:

- Spade, shovel, mortar tub, bucket, wheelbarrow, possibly concrete mixer.

Assembling:

- Drill, metal drill bits (2-10 mm), concrete drill bits (14 mm), screwdrivers (crosshead, hexagon and torx), spanners, torque spanners, rubber mallet, saws for wood and metal, circular saw.

Other:

- Silicone gun

Preparation and basic construction principles:

Planning is essential!

Using the assembly instructions, draw up a construction plan for your HoriZen fence. Determine the correct spacing and positioning of the elements before starting. The axis size always determines the spacing of the posts, which you will find on the overview of the relevant panels.

These assembly instructions are the basis for all construction variants. When planning and executing the work, take into account all local regulations and building codes and adhere to the generally used rules of the trade. No guarantee can be invoked in the event of deviations and resulting defects.

Responsibility for proper installation on existing buildings and for the impact on statics, insulation and fire protection lies with the planners and the professionals involved.

NOTE: The Betafence panels and screening systems are **not** approved or authorized to be used as balustrades.

All HoriZen Prime elements and components for the combination with HoriZen aluminum posts

- HoriZen Prime WPC CLASSIC Anthracite and brown including top and bottom profiles in anthracite.



- HoriZen Prime Dekorative profiles (15 cm high). The Dekorative profiles in Stainless steel can replace certain WPC profiles.



Modern



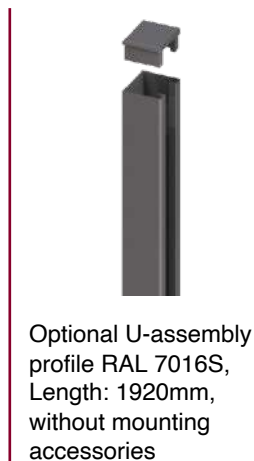
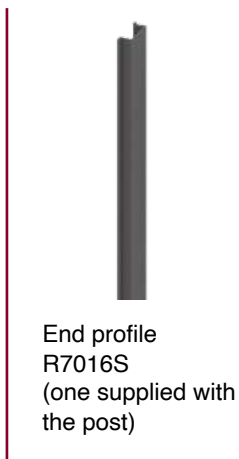
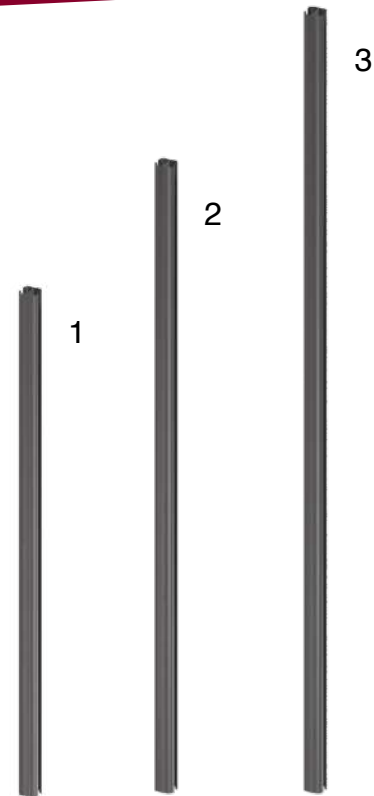
Classic



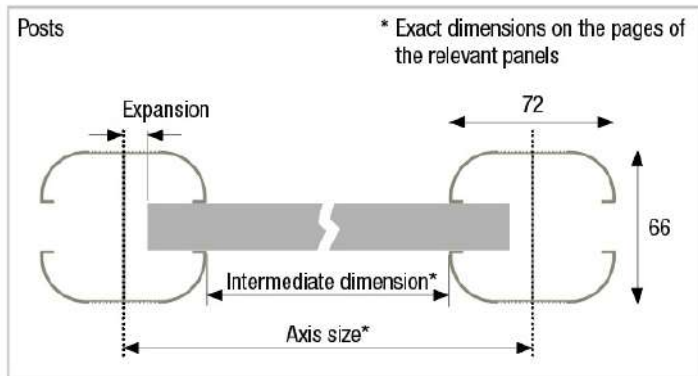
HoriZen aluminum posts and accessories

- HoriZen Aluminium posts in RAL 7016 S (anthracite) and post caps.
- An overview of the size indications of installation widths and possible combinations of panels and accessories is on page 10.

Post section x length	Installation with floor plate	Installation in concrete
1. 70x70x1930 mm	•	• <small>(if fence is max 1300mm)</small>
2. 70x70x2400 mm		•
3. 70x70x2980 mm		•



Basic principles: dimensions and terminology (indicated in mm)



The necessary space for material expansion is created automatically when the panels are precisely aligned in the centre, when they are assembled with the specified axis sizes and intermediate dimensions.

Combinations of the panel-series - heights of the panel elements

All elements of the HoriZen Prime panels can be freely combined with each other. As the panel height is not always the same, it is best to align the top of the panels at the same height in order to obtain a visually uniform appearance. If you plan to install a fence with a single or double gate, install the gate first and then align the remaining panel elements with it.

The height indications are guide values for your planning. They may vary slightly due to temperature or by tongue and groove assembly.

- HoriZen Prime WPC : 1830 mm
- HoriZen gates: 1845mm

Assembly on sloping terrain

For significant slopes, installation with posts for concreting is recommended.

Please note: all boards in the HoriZen range must be installed horizontally between the posts!

There are two options:

Option 1: The elements and profiles run level at the top, with or without an open space between the bottom of the panel and the ground, depending on the slope.

Option 2: The profiles or elements are installed stepped at the top in increments of 15 cm, i.e. always with a height difference in relation to the previous panel.

Corner

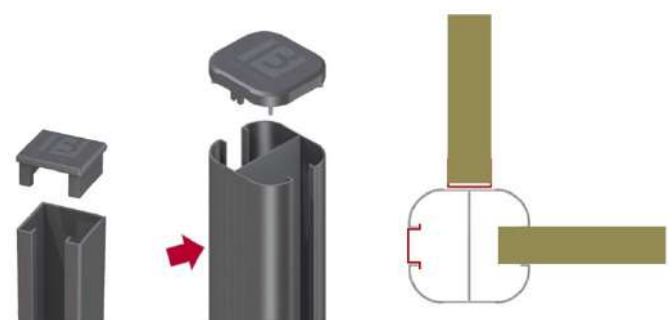
To make a 90° corner, screw a U-profile post to the HoriZen post.

For other corners 2 posts are required

Option 1



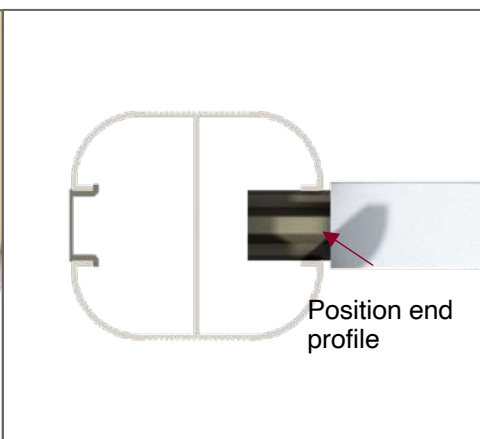
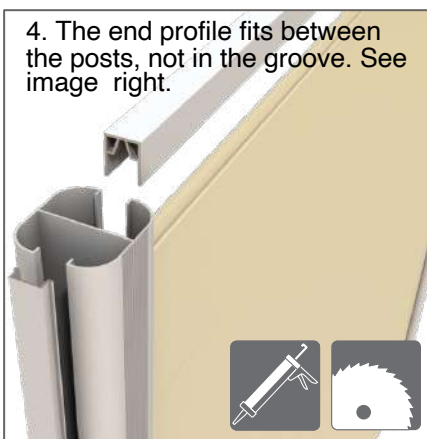
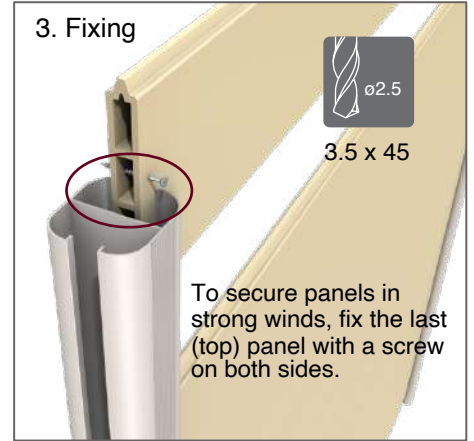
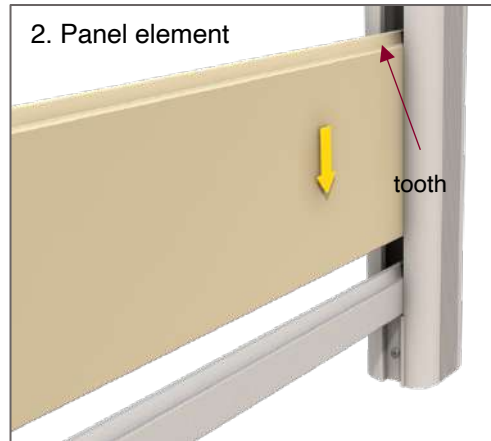
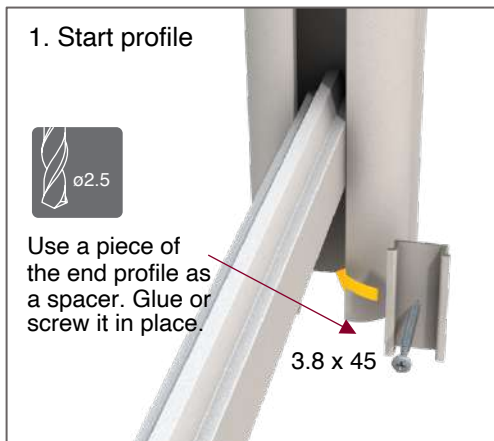
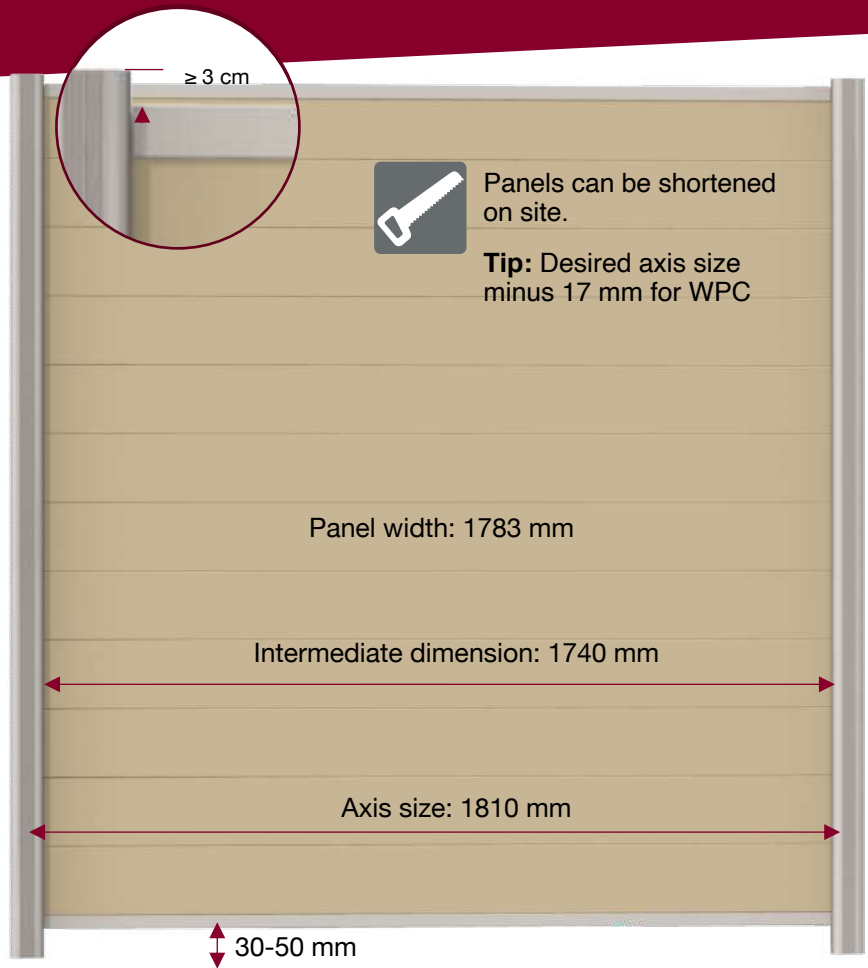
Option 2



Assembly sequence

First fit the spacer (use only at the bottom) into the post groove and then insert the start profile (1) and centre it. Install the first panel (2), the tooth facing up, centre it. Carry on with subsequent panels. Fix the last panel with a screw (3) Place the end profile (4) and glue. Install and glue post caps (5).

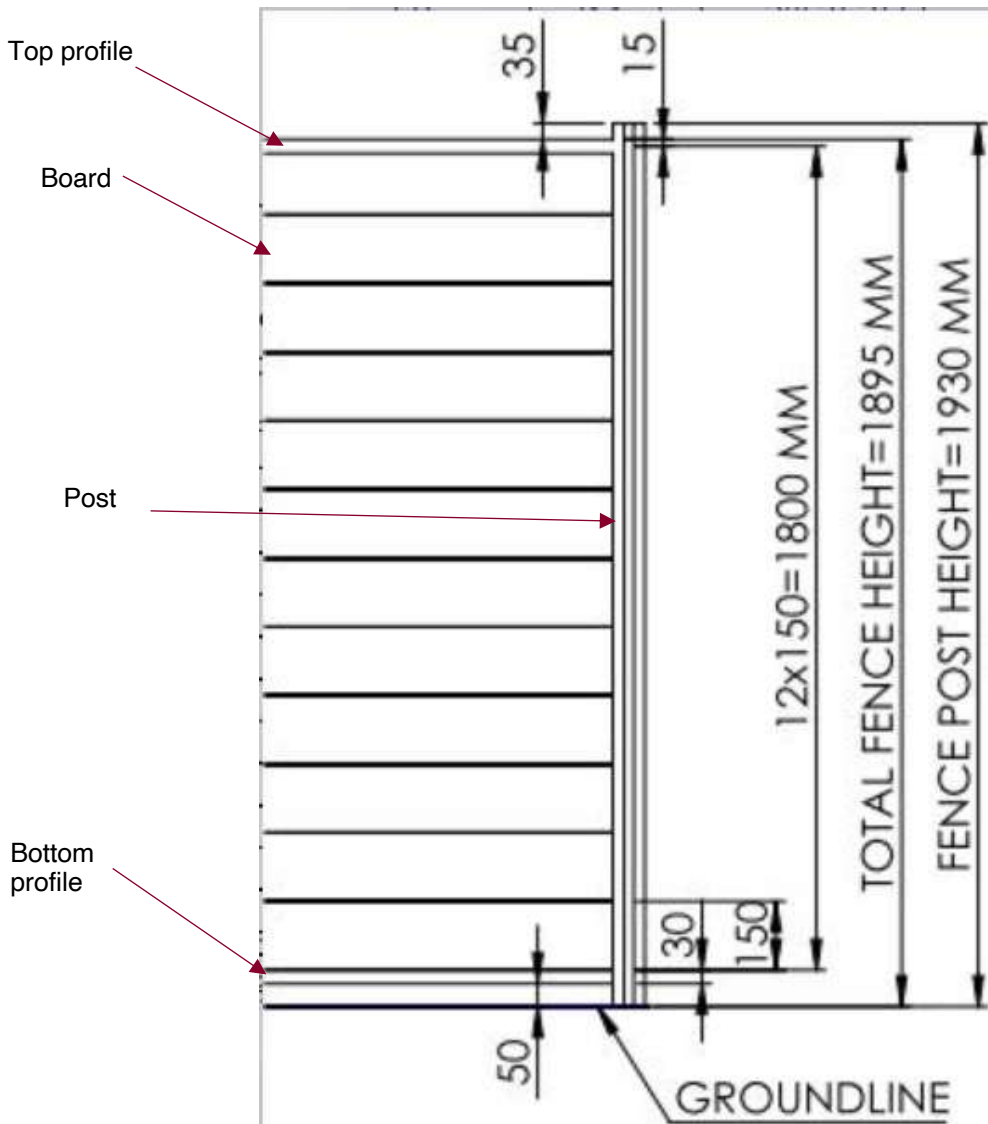
TIP: When slotting the panels in, lightly press the groove in the post with a wooden block. For ALU profiles, a lubricant can also be applied.



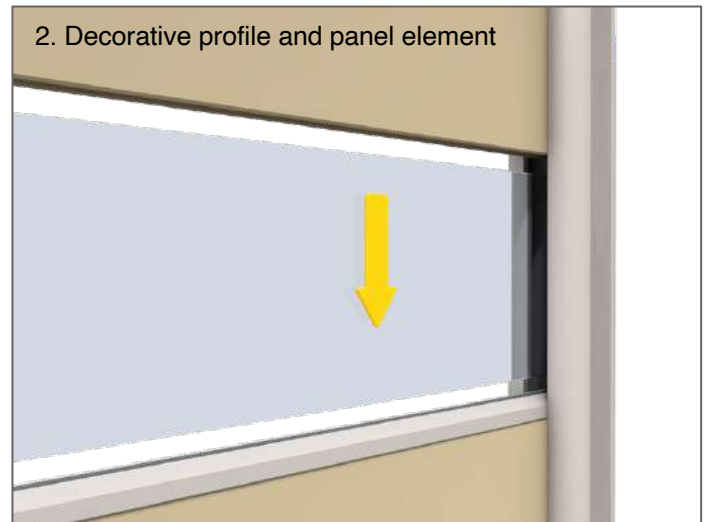
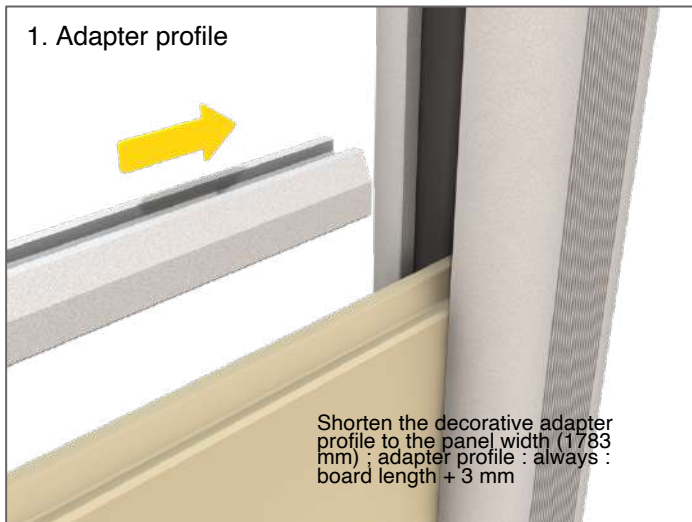
Fence heights

Amount of boards [mm] (one board = 150mm height)	Fence height [mm]	Space between ground and bottom profile [mm]	Bottom profile [mm]	Top profile [mm]	Post Height (in concrete) [mm]	Post Height (with floorplate) [mm]
4	695	30-50	30	15	1200	730
5	845				1350	880
6	995				1500	1030
7	1145				1650	1180
8	1295				1800	1330
9	1445				1950	1480
10	1595				2100	1630
11	1745				2250	1780
12	1895				2400	1930

Example sketch for fence 1895mm height



Decorative profiles Classic or Modern



Important for all HoriZen fencing:

- Only install decorative profiles in the upper third section.
- When multiple decorative profiles are used in one panel, there must always be a HoriZen panel in between.

Proud to be a PRÆSIDIAD brand, Betafence is part of a global network, working alongside Guardiar and Hesco as leaders in perimeter security systems and solutions.

For more information, please visit praesidiad.com